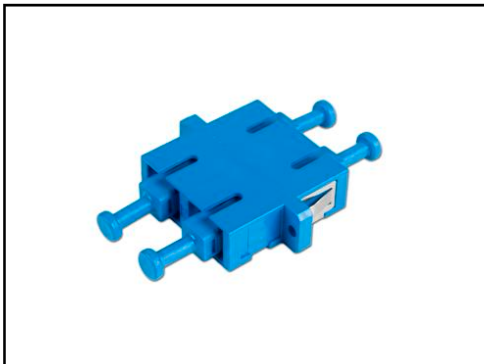


FiberSource

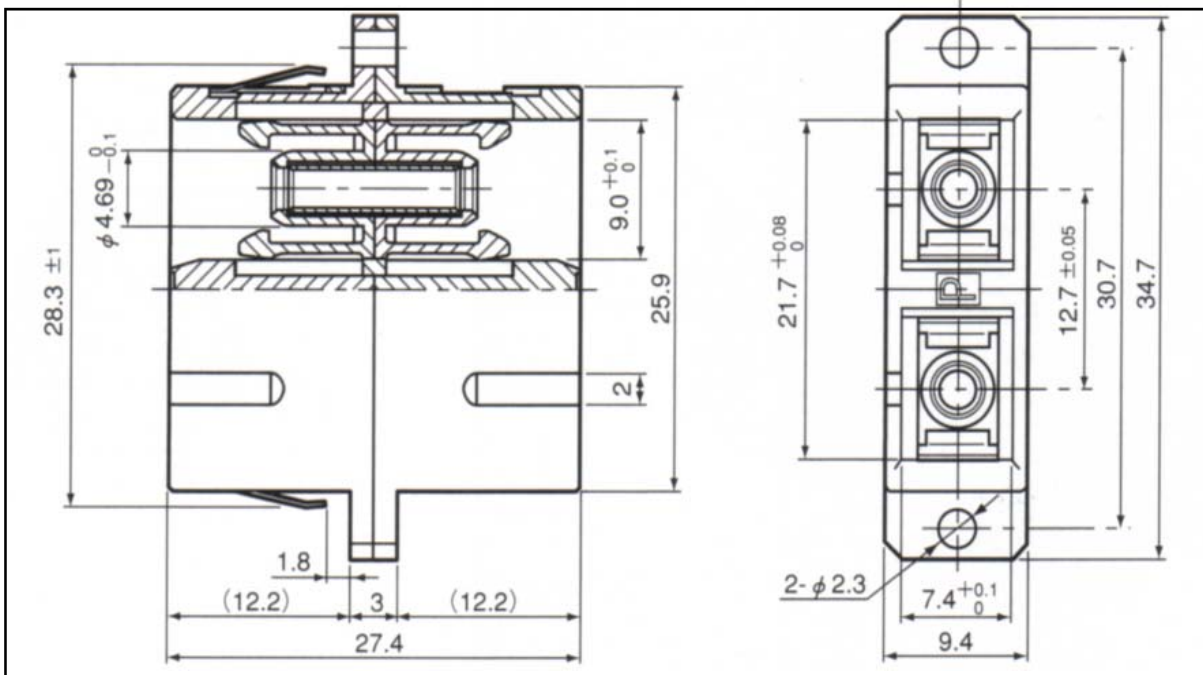
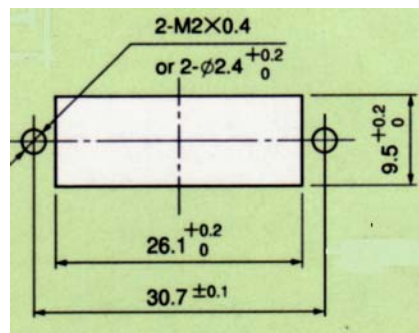
SC Duplex Adapter

- SC Adapter Meets Latest TIA / EIA 604-3, JIS C5973, and IEC Specifications
- **Industry Standard 12.7 mm (0.5") Connector Spacing Works With Either Fixed Or Clip Joined Housings**
- Improved PPS Latch Design For Better Performance
- Includes Dustcaps
- Available With Phosphorous Bronze Sleeve For Singlemode Or Multi Mode Use or Zirconia Ceramic Sleeve For Singlemode Use

SC Duplex Adapter with Standard Flange



SC Duplex Adapter Mounting



Ordering Information

Singlemode

FS00402 SC Singlemode Duplex Adapter, PPS Latches, Zirconia Sleeve, Blue Dust Caps.
Telcordia GR-326 Certified by Intertek Labs

Multi Mode

FS01142 SC Multi Mode Duplex Adapter, PBT Latches, Phosphorous Bronze Sleeve, Black Dust Caps. (Special Order)

Angle Polish

FS00403 SC APC Duplex Adapter, PPS Latches, Zirconia Sleeve, Black Dust Caps